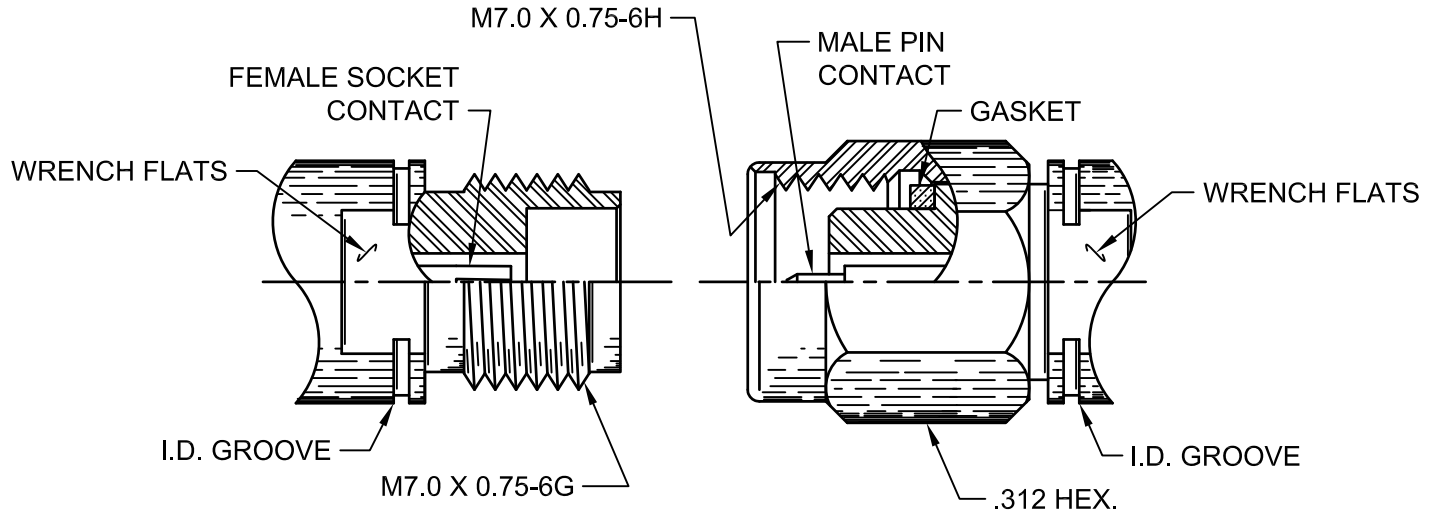


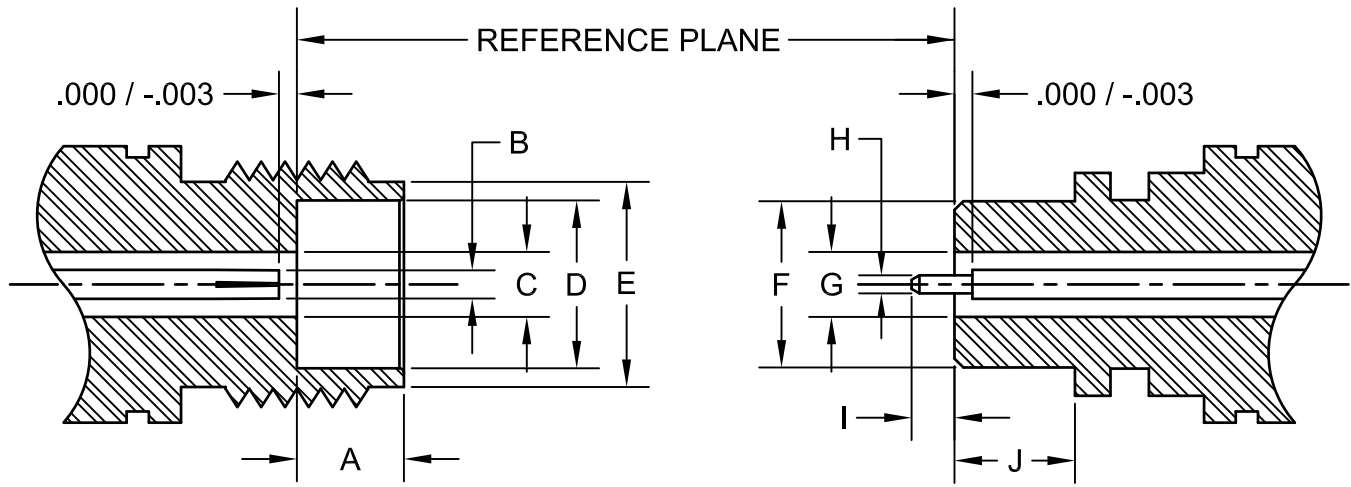
# 1.85mm INTERFACE MATING DIMENSIONS



## INTERFACE DIMENSIONS

FEMALE / JACK			
LTR.	MAX. INCHES	MIN.	mm
A	.1210	.1190	3.05
B	.0320	.0312	0.80
C	.0725	.0731	1.85
D	.1885	.1880	4.78
E	.2310	.2290	5.84

MALE / PLUG			
LTR.	MAX. INCHES	MIN.	mm
F	.1870	.1860	4.74
G	.0725	.0731	1.85
H	.0205	.0195	0.51
I	.0580	.0520	1.40
J	.1370	.1330	3.43



DWG NO. **1.85mm Series**

**SGMC MICROWAVE**  
www.sgmcmicrowave.com

REVISIONS		
LTR.	DESCRIPTION: (ECN#)	DATE:
--	DWG. RELEASED	02/04/02

TITLE:  
**1.85mm INTERFACE MATING DIMENSIONS**

Manufacturer of Precision Coaxial Connectors  
"PROPRIETARY INFORMATION" THE INFORMATION WITHIN THIS DRAWING IS PROPRIETARY AND SHALL NOT BE USED OR DISCLOSED WITHOUT PRIOR WRITTEN PERMISSION FROM (SGMC) SGMC MICROWAVE.  
SCALE: NTS CAGE CODE: 1UYM4  
DRAWN: LRH II APPR: *Letta*  
SHEET: 1 OF 1 SIZE: A