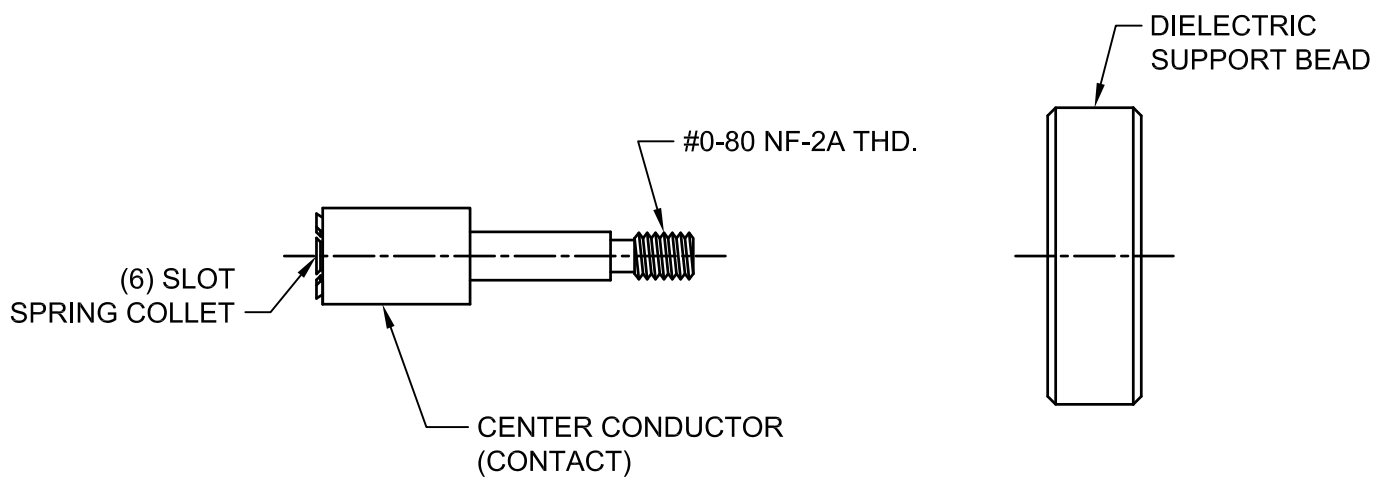
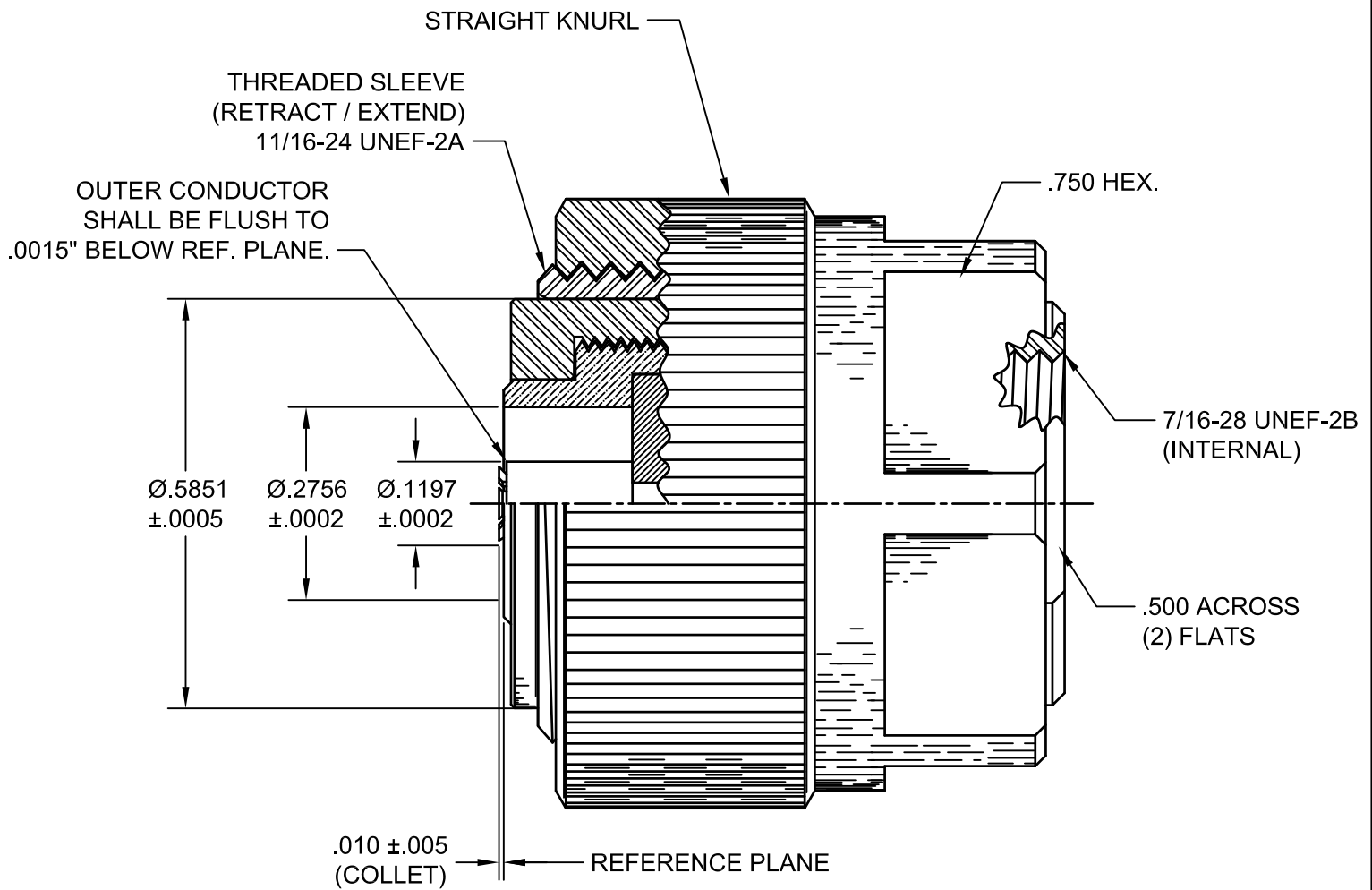


7mm INTERFACE MATING DIMENSIONS



DWG NO. **7mm Series**

SGMC MICROWAVE
www.sgmcmicrowave.com

REVISIONS		
LTR:	DESCRIPTION: (ECN#)	DATE:
--	DWG. RELEASED	02/04/02

TITLE:
7mm INTERFACE MATING DIMENSIONS

Manufacturer of Precision Coaxial Connectors

"PROPRIETARY INFORMATION" THE INFORMATION WITHIN THIS DRAWING IS PROPRIETARY AND SHALL NOT BE USED OR DISCLOSED WITHOUT PRIOR WRITTEN PERMISSION FROM (SGMC) SGMC MICROWAVE.

SCALE: NTS CAGE CODE: 1UYM4

DRAWN: LRH II APPR: *Letta*

SHEET: 1 OF 1 SIZE: A
