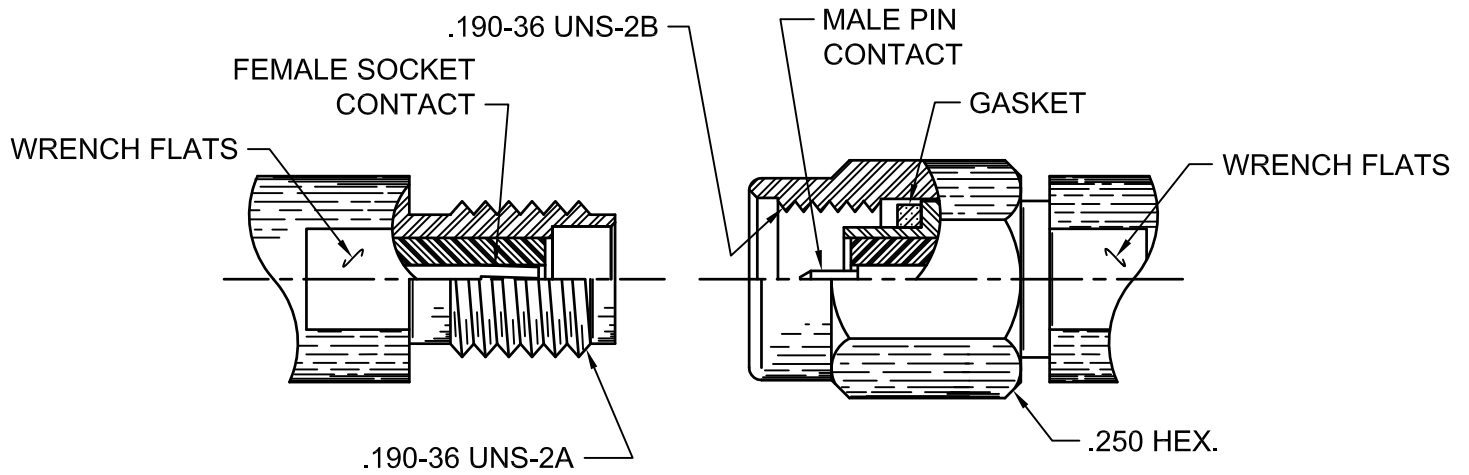


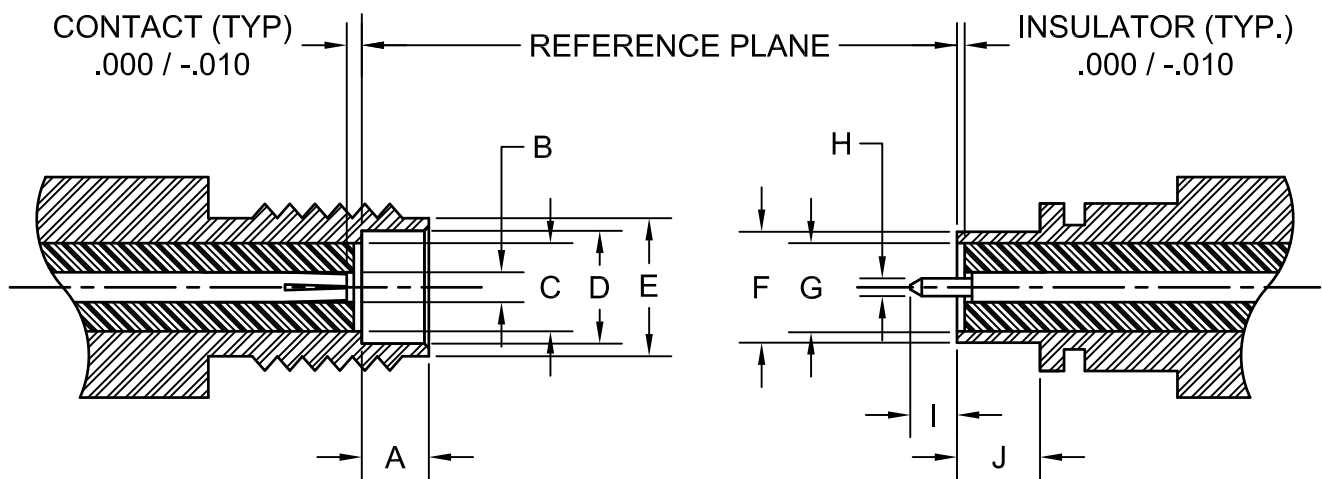
SSMA INTERFACE MATING DIMENSIONS



INTERFACE DIMENSIONS

FEMALE / JACK			
LTR.	MAX. INCHES	MIN.	mm
A	.0770	.0750	1.93
B	.0348	.0335	.034
C	---	---	---
D	.1300	.1270	3.26
E	.1500	.1470	3.77

MALE / PLUG			
LTR.	MAX. INCHES	MIN.	mm
F	.1268	.1240	3.18
G	---	---	---
H	.0208	.0195	.508
I	.0650	.0500	1.46
J	---	---	---



DWG NO. **SSMA Series**

SGMC MICROWAVE
www.sgmcmicrowave.com

REVISIONS

LTR.	DESCRIPTION: (ECN#)	DATE:
--	DWG. RELEASED	02/04/02

TITLE:
**SSMA INTERFACE
MATING DIMENSIONS
(IAW MIL-STD-348)**

Manufacturer of Precision Coaxial Connectors
"PROPRIETARY INFORMATION" THE INFORMATION WITHIN THIS DRAWING IS PROPRIETARY AND SHALL NOT BE USED OR DISCLOSED WITHOUT PRIOR WRITTEN PERMISSION FROM (SGMC) SGMC MICROWAVE.
SCALE: NTS CAGE CODE: 1UYM4
DRAWN: LRH II APPR: *Letta*
SHEET: 1 OF 1 SIZE: A