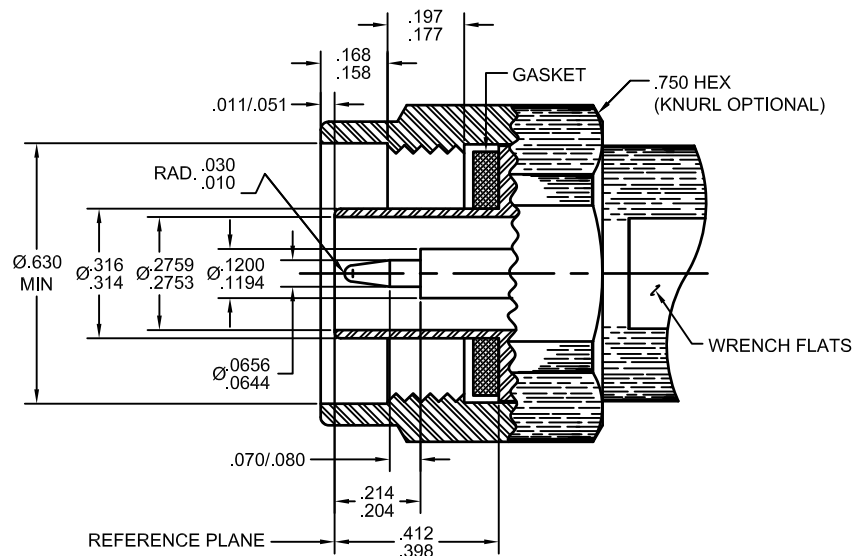
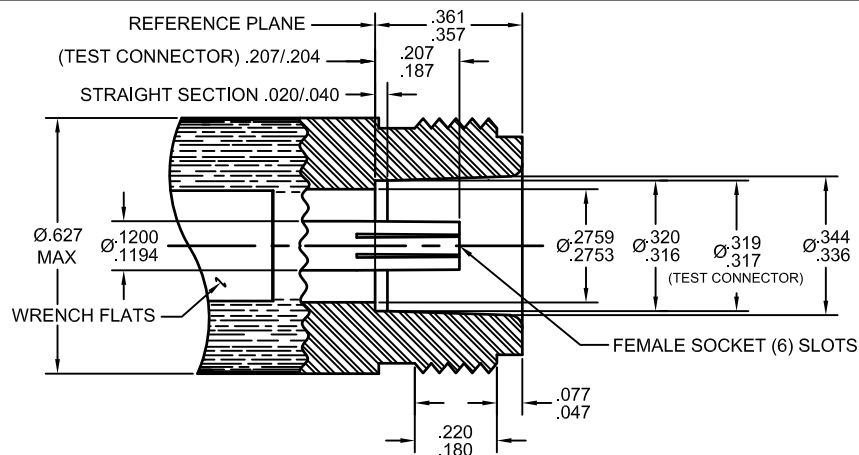


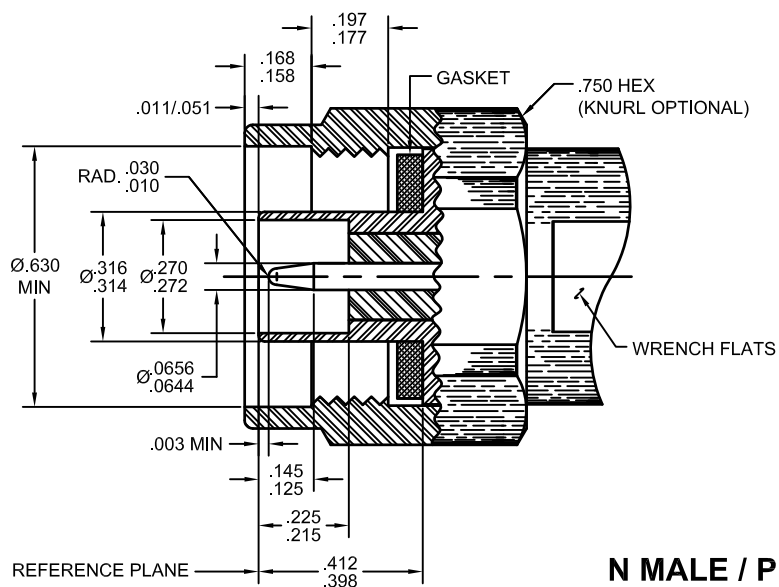
# Type "N" INTERFACE MATING DIMENSIONS



**MALE / PLUG**



**FEMALE / JACK**



**N MALE / PLUG (High Frequency)**

DWG NO. <b>N Series</b>	<b>SGMC MICROWAVE</b> <a href="http://www.sgmcmicrowave.com">www.sgmcmicrowave.com</a>	REVISIONS		
		LTR:	DESCRIPTION: (ECN#)	DATE:
TITLE:  <h2 style="text-align: center;">Type "N" INTERFACE MATING DIMENSIONS</h2>	Manufacturer of Precision Coaxial Connectors	---	DWG. RELEASED	02/04/02
	"PROPRIETARY INFORMATION" THE INFORMATION WITHIN THIS DRAWING IS PROPRIETARY AND SHALL NOT BE USED OR DISCLOSED WITHOUT PRIOR WRITTEN PERMISSION FROM (SGMC) SGMC MICROWAVE.			
	SCALE: NTS	CAGE CODE: 1UYM4		
	DRAWN: LRH II	APPR: <i>Letta</i>		
	SHEET: 1 OF 1	SIZE: A		