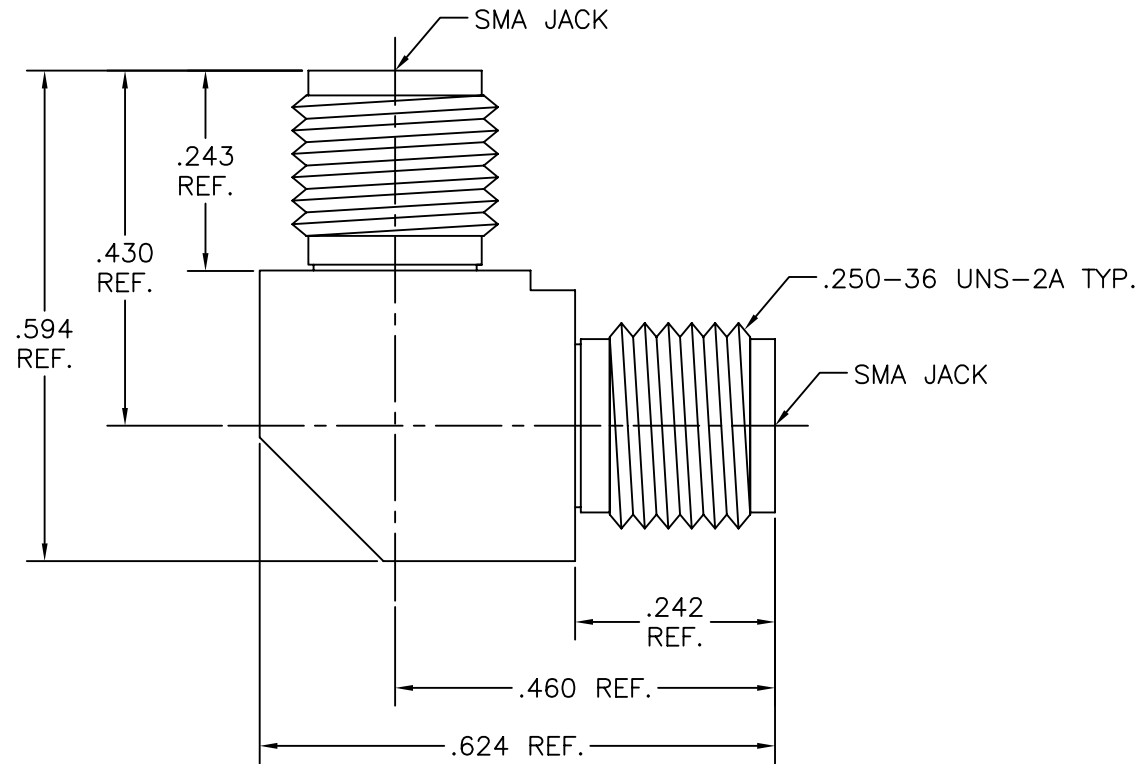


DWG NO.

131-51-51-010

NOTES: GOLD PLATED



DWG NO. 131-51-51-010

SGMC MICROWAVE
www.sgmcmicrowave.com

USED ON:
"OUTLINE DRAWING"

| REVISIONS | | |
|-----------|---------------------|----------|
| LTR: | DESCRIPTION: (ECN#) | DATE: |
| -- | DWG. RELEASED | 02/22/02 |
| A | ECN. #1091 | 02/05/04 |

TITLE:
**SMA FEMALE TO
SMA FEMALE
RIGHT ANGLE (90°)**

SCALE: NTS CAGE CODE: 1UYM4 SIZE: A SHEET: 1 OF 1 DRAWN: LRH || APPR:

UNLESS OTHERWISE SPECIFIED:
 1. REMOVE ALL BURRS.
 2. ALL DIMENSIONS ARE AFTER PLATING.
 3. BREAK ALL CORNERS & EDGES .005 R. MAX.
 4. CHAMFER 1st & LAST THREADS 45°.
 5. DIAMETERS ON COMMON CENTERS SHALL BE CONCENTRIC WITHIN .002 T.I.R.
 6. ALL SURFACES FINISHED TO 32√.

TOLERANCES
ALL DIMENSIONS
ARE IN INCHES
"DECIMALS"
 .X ±.030
 .XX ±.010
 .XXX ±.005

FINISH:
MATERIAL:

"PROPRIETARY INFORMATION" THE INFORMATION WITHIN THIS DRAWING IS PROPRIETARY AND SHALL NOT BE USED OR DISCLOSED WITHOUT PRIOR WRITTEN PERMISSION FROM (SGMC) SGMC MICROWAVE.