

DWG NO.

200-30-15-860

NOTES: 1. WITHOUT CENTER CONTACT
2. PARTS ARE SHIPPED LOOSE IN BAG (UNASSEMBLED).

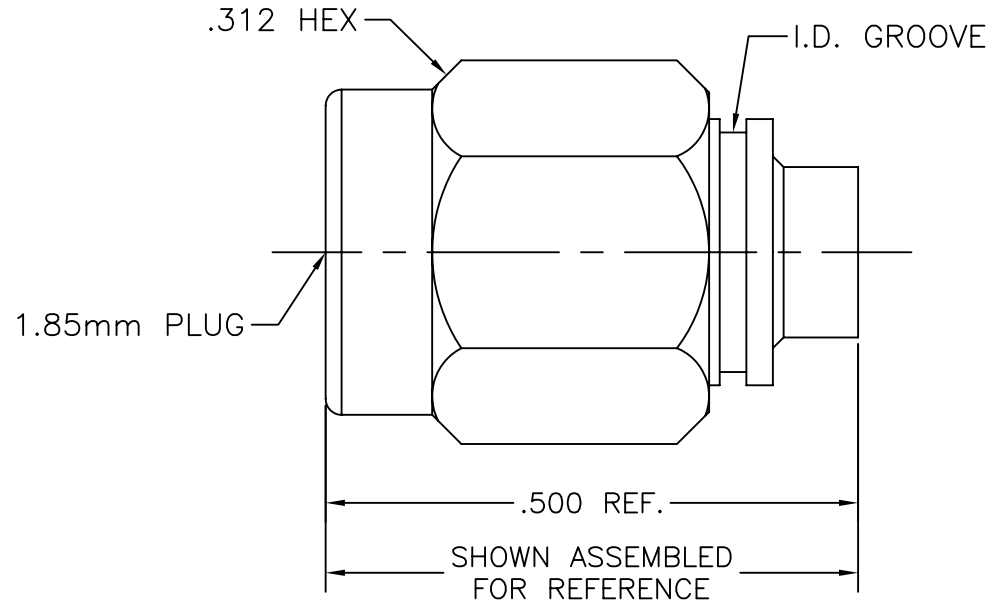
TO BE USED ON V085 SEMI-RIGID CABLE:

Impedance: 50 Ohms

Dielectric: Ø.055" (Microporous Teflon)

Outside Diameter: Ø.085"

Center Conductor: Ø.020"



DWG NO. **200-30-15-860**

SGMC MICROWAVE
www.sgmcmicrowave.com

USED ON:
"OUTLINE DRAWING"

REVISIONS		
LTR:	DESCRIPTION: (ECN#)	DATE:
--	DWG. RELEASED	02/01/06

TITLE:
**1.85mm MALE TO (V085)
.085 SEMI-RIGID CABLE
LOW LOSS (Direct Solder)**

SCALE: NTS CAGE CODE: 1UYM4 SIZE: A

SHEET: 1 OF 1 DRAWN: LRH || APPR:

- UNLESS OTHERWISE SPECIFIED:
1. REMOVE ALL BURRS.
 2. ALL DIMENSIONS ARE AFTER PLATING.
 3. BREAK ALL CORNERS & EDGES .005 R. MAX.
 4. CHAMFER 1st & LAST THREADS 45°.
 5. DIAMETERS ON COMMON CENTERS SHALL BE CONCENTRIC WITHIN .002 T.I.R.
 6. ALL SURFACES FINISHED TO 32√.

TOLERANCES
ALL DIMENSIONS
ARE IN INCHES

"DECIMALS"

.X	±.030
.XX	±.010
.XXX	±.005

FINISH:

MATERIAL:

"PROPRIETARY INFORMATION" THE INFORMATION WITHIN THIS DRAWING IS PROPRIETARY AND SHALL NOT BE USED OR DISCLOSED WITHOUT PRIOR WRITTEN PERMISSION FROM (SGMC) SGMC MICROWAVE.