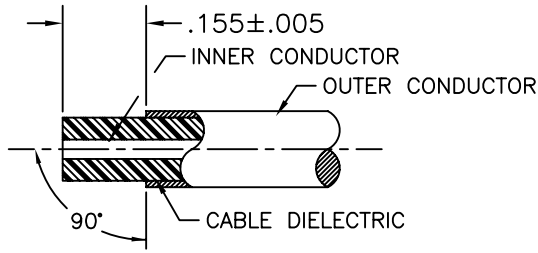
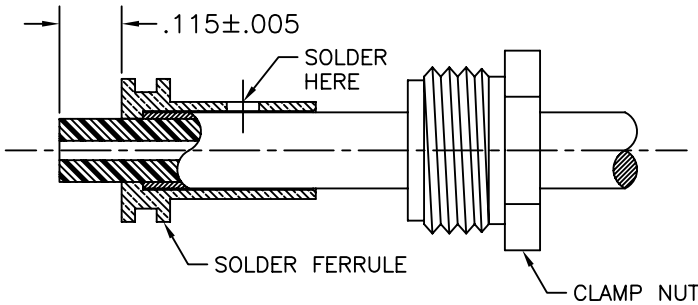


# SGMC MICROWAVE CABLE ASSEMBLY INSTRUCTIONS



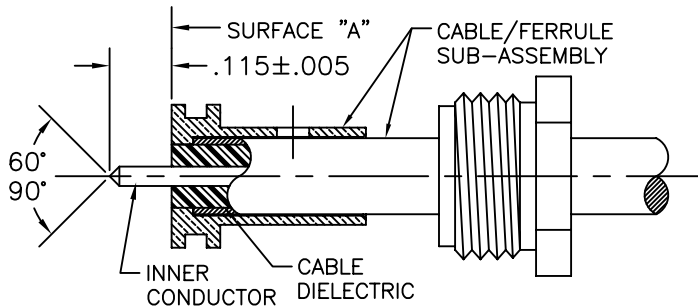
## 1.0 PREPARATION OF CABLE:

- 1.1 TRIM CABLES OUTER CONDUCTOR TO DIMENSIONS SHOWN. THE CABLES OUTER CONDUCTOR SHOULD BE 90° FROM CENTERLINE. CARE SHOULD BE TAKEN NOT TO NICK CABLE DIELECTRIC OR INNER CONDUCTOR DURING THIS OPERATION.
- 1.2 INSPECT CABLE PREPARATION. REMOVE BURRS & SHARP EDGES FROM OUTER CONDUCTOR WITH SCOTCH BRITE.



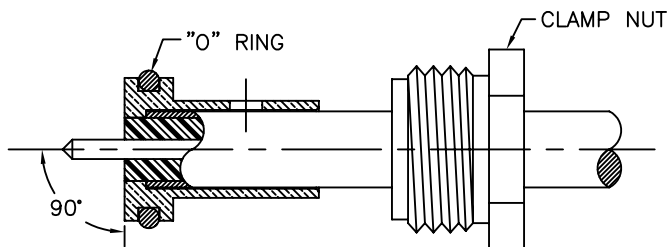
## 2.0 SOLDERING OF FERRULE TO CABLE OUTER CONDUCTOR:

- 2.1 SLIDE CLAMP NUT ON CABLE AS SHOWN.
- 2.2 TIN OUTER CONDUCTOR OF CABLE. HEAT SOLDER FERRULE AND SLIDE IT OVER CABLE UNTIL IT BOTTOMS COMPLETELY ON CABLE SHOULDER (OUTER CONDUCTOR).
- 2.3 USING A RESISTIVE SOLDERING IRON, SOLDER FERRULE AS SHOWN USING 60/40 SOLDER.
- 2.4 INSPECT & REMOVE EXCESS SOLDER AND CLEAN WITH SOLVENT (ALCOHOL).



## 3.0 PREPARATION OF CABLE INNER CONDUCTOR:

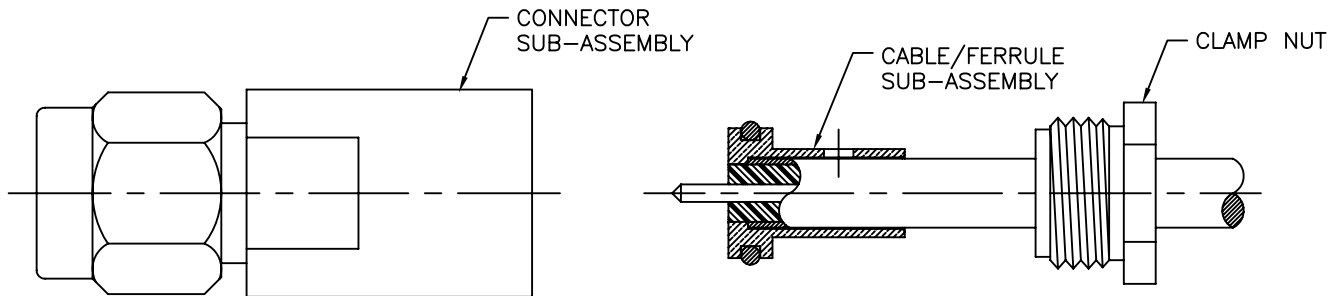
- 3.1 TRIM DIELECTRIC FLUSH TO SURFACE "A". CARE SHOULD BE TAKEN NOT TO NICK INNER CONDUCTOR DURING THIS OPERATION.
- 3.2 FILE BLUNT END OF CABLE INNER CONDUCTOR TO A 60°/90° CONE.
- 3.3 INSPECT CABLE PREPARATION.



## 4.0 INSTALLATION OF CABLE/FERRULE SUB-ASSEMBLY:

- 4.1 PLACE "O" RING IN FERRULE GROOVE AS SHOWN.
- 4.2 PLACE CABLE / FERRULE SUB-ASSEMBLY INTO THE BACK OF CONNECTOR SUB-ASSEMBLY BODY. CARE SHOULD BE TAKEN NOT TO BEND OR DAMAGE INNER CONDUCTOR OR CENTER CONTACT OF CONNECTOR.
- 4.3 SLIDE CLAMP NUT OVER CABLE TO BODY & TIGHTEN CLAMP NUT TO 15 INCH-POUNDS.

## 4.0 ENLARGED VIEW OF CABLE ASSEMBLY:



DWG NO. **200-34-20-410**

TITLE:  
**2.9mm MALE TO  
.141 SEMI-RIGID  
CABLE (Solder Clamp)**

**SGMC MICROWAVE**  
[www.sgmcmicrowave.com](http://www.sgmcmicrowave.com)

SCALE: NTS	CAGE CODE: 1UYM4	SIZE: A
SHEET: 1 OF 1	DRAWN: LRH II	APPR:
REVISIONS		
LTR: DESCRIPTION: (ECN#)	DATE:	
-- DWG. RELEASED	02/26/02	

### TOOLS REQUIRED:

1. RESISTANCE SOLDERING MACHINE.
2. FLUX, SOLDER POT, 60/40 SOLDER.
3. RAZOR BLADES.
4. SCOTCH BRITE.
5. SOLVENT (ISOPROPYL ALCOHOL).

**"PROPRIETARY INFORMATION"**