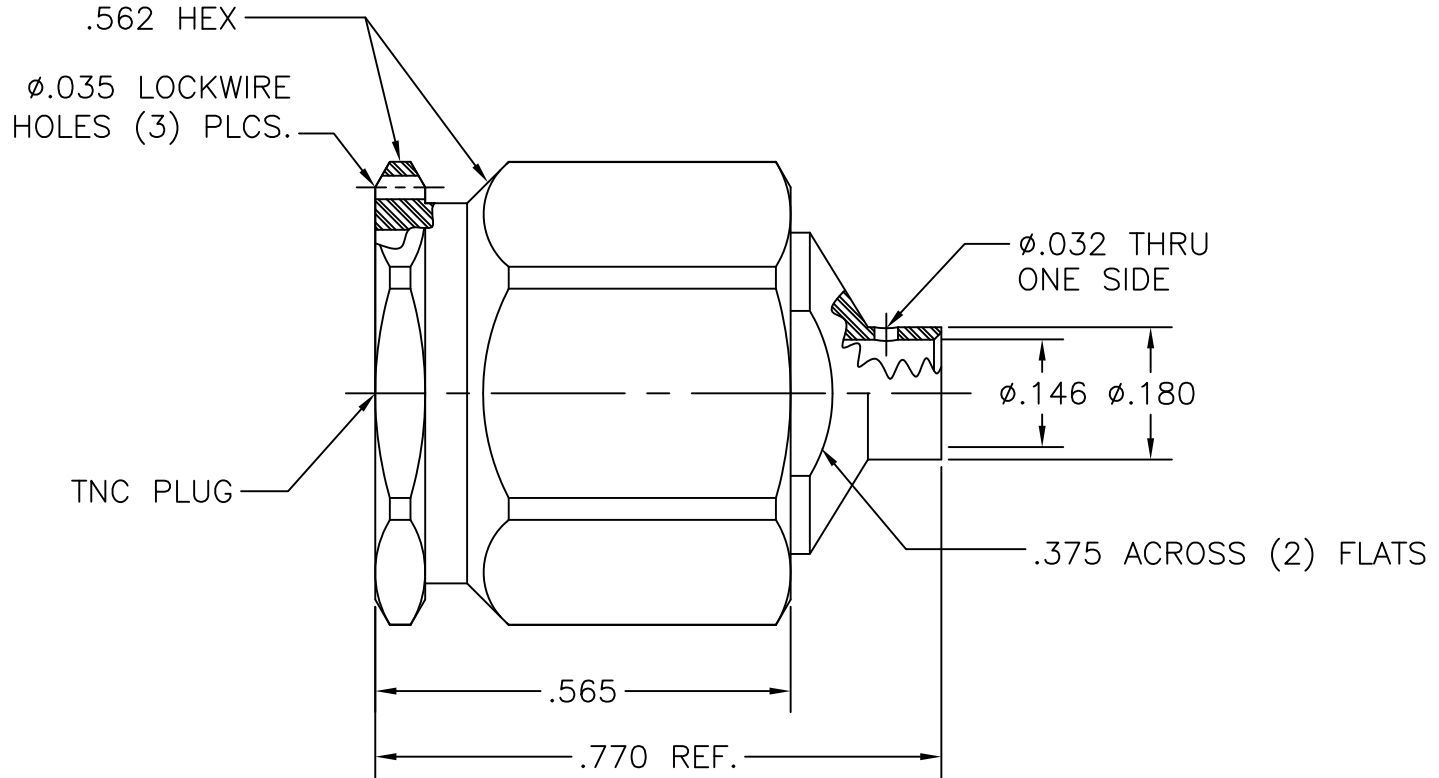


DWG NO.

200-60-10-410

NOTES: DC to 11/14 GHz



| <p>DWG NO. 200-60-10-410</p> | <p>SGMC MICROWAVE www.sgmcmicrowave.com</p> | | <p>USED ON: "OUTLINE DRAWING"</p> | | <p>REVISIONS</p> | | | | | | | | | | | | | | | | | | | | | | | | | | |
|--|--|---|--|----------------------|---|--------------|--|------|---------------------|-------|----|---------------|----------|--|--|--|--|--|--|--|--|--|--|--|--|--|--|--|--|--|--|
| <p>TITLE: TNC MALE TO .141 SEMI-RIGID CABLE (Direct Solder)</p> | <p>SCALE: NTS</p> | <p>CAGE CODE: 1UYM4</p> | <p>SIZE: A</p> | <p>SHEET: 1 OF 1</p> | <p>DRAWN: LRH II</p> | <p>APPR:</p> | <table border="1"> <tr> <th>LTR:</th> <th>DESCRIPTION: (ECN#)</th> <th>DATE:</th> </tr> <tr> <td>--</td> <td>DWG. RELEASED</td> <td>03/09/04</td> </tr> </table> | LTR: | DESCRIPTION: (ECN#) | DATE: | -- | DWG. RELEASED | 03/09/04 | | | | | | | | | | | | | | | | | | |
| LTR: | DESCRIPTION: (ECN#) | DATE: | | | | | | | | | | | | | | | | | | | | | | | | | | | | | |
| -- | DWG. RELEASED | 03/09/04 | | | | | | | | | | | | | | | | | | | | | | | | | | | | | |
| <p>UNLESS OTHERWISE SPECIFIED: 1. REMOVE ALL BURRS. 2. ALL DIMENSIONS ARE AFTER PLATING. 3. BREAK ALL CORNERS & EDGES .005 R. MAX. 4. CHAMFER 1st & LAST THREADS 45°. 5. DIAMETERS ON COMMON CENTERS SHALL BE CONCENTRIC WITHIN .002 T.I.R. 6. ALL SURFACES FINISHED TO 32√.</p> | | <p>TOLERANCES ALL DIMENSIONS ARE IN INCHES "DECIMALS" .X ±.030 .XX ±.010 .XXX ±.005</p> | <p>FINISH: MATERIAL:</p> | | <table border="1"> <tr><td> </td><td> </td><td> </td></tr> <tr><td> </td><td> </td><td> </td></tr> <tr><td> </td><td> </td><td> </td></tr> <tr><td> </td><td> </td><td> </td></tr> <tr><td> </td><td> </td><td> </td></tr> <tr><td> </td><td> </td><td> </td></tr> <tr><td> </td><td> </td><td> </td></tr> <tr><td> </td><td> </td><td> </td></tr> </table> | | | | | | | | | | | | | | | | | | | | | | | | | | |
| | | | | | | | | | | | | | | | | | | | | | | | | | | | | | | | |
| | | | | | | | | | | | | | | | | | | | | | | | | | | | | | | | |
| | | | | | | | | | | | | | | | | | | | | | | | | | | | | | | | |
| | | | | | | | | | | | | | | | | | | | | | | | | | | | | | | | |
| | | | | | | | | | | | | | | | | | | | | | | | | | | | | | | | |
| | | | | | | | | | | | | | | | | | | | | | | | | | | | | | | | |
| | | | | | | | | | | | | | | | | | | | | | | | | | | | | | | | |
| | | | | | | | | | | | | | | | | | | | | | | | | | | | | | | | |
| <p>"PROPRIETARY INFORMATION" THE INFORMATION WITHIN THIS DRAWING IS PROPRIETARY AND SHALL NOT BE USED OR DISCLOSED WITHOUT PRIOR WRITTEN PERMISSION FROM (SGMC) SGMC MICROWAVE.</p> | | | | | | | | | | | | | | | | | | | | | | | | | | | | | | | |